



25
10
08

WHY WAIT? -

RIGGING



**Dolly
Slider
Jib
Crane
Camera car
Support
Stands
Heavy Duty**

Via Adelaide Bono Cairoli, 20
20127 Milano
Booking Rental
rental@recdistrikt.com
342 74 92 831
Booking Studio
studio@recdistrikt.com
342 74 92 831
Orari
dal lunedì al venerdì
09:30 - 13:00
14:00 - 18:30



GENERAL RENTAL TERMS AND CONDITIONS

The rental of spaces and tangible assets owned by our company (or in any case materially and legally available to Rec Distrikt SRL) is governed by these General Rental Terms and Conditions, which must be fully accepted, without any reservation, at the time of confirmation of the quotation by email, or by signing the quotation prior to the scheduled date for collection of the equipment, even where collection is carried out by third parties, or in the case of use of the premises.

Art. 1 - The equipment and instruments rented are in perfect working condition, tested and ready for their intended use, and must be returned in the same condition at the end of the rental period.

By signing these General Terms and Conditions and the delivery note (DDT), the Contractor expressly acknowledges the perfect state of use, maintenance and operation of the equipment and instruments, as well as their completeness with all accessories necessary for operation.

The equipment and instruments shall be delivered to the Contractor at the premises of Rec Distrikt SRL or at the delivery address agreed in writing.

Should the equipment be collected by a person other than the Contractor or an employee of the Contractor, this must be communicated in writing at the time of the rental request, and the delegate must be provided with written authorization, including the power to sign the delivery note, with the Contractor assuming full responsibility in this regard.

Art. 2 - The equipment rented by Rec Distrikt SRL is prepared in accordance with applicable regulations. The Client, who will carry out installation and connections, also through third parties, must strictly comply with all safety regulations, assuming full criminal, civil and fiscal liability, and expressly indemnifying and holding harmless Rec Distrikt SRL from any damage caused to third parties or to the Contractor itself arising from the use of the rented equipment and instruments.

Art. 3 - The Client is required to communicate any changes. Rentals cancelled within 24 hours prior to the scheduled collection date shall still be invoiced, and the Contractor shall be required to pay the full agreed rental price.

In the case of a Monday collection, Friday shall always be considered the last available day for cancellation.

Art. 4 - The price list may be subject to change without prior notice. Rec Distrikt SRL shall apply in its invoices the prices indicated in the price list in force on the day of collection.

Art. 5 - The rented equipment may also be used abroad, in which case the lessee undertakes to request written authorization from Rec Distrikt SRL and the preparation of the relevant documentation.

Art. 6 - The rental ends on the date indicated in the confirmation, at which time the equipment and instruments must be returned in perfect condition to the premises of Rec Distrikt SRL.

Return must take place strictly by 8:00 p.m. on the last rental day or by 10:00 a.m. on the day following the last rental day. Any different agreement must be made in writing.

Following return, Rec Distrikt SRL shall inspect the equipment and reserves the right to raise observations and objections within five (5) days from the actual return.

In approval, pursuant to and for the purposes of Articles 1341 et seq. of the Italian Civil Code, the Contractor expressly declares acceptance of the following clauses (Art. 1, Art. 2, Art. 3, Art. 4, Art. 6, Art. 8, Art. 9, Art. 10 and Art. 11), also initialing each page to confirm review and specific approval of each clause and condition.

Rec Distrikt SRL The Contractor

In the event of failure to return the equipment within the agreed term, the Contractor shall be required to pay the rental fee also for the day scheduled for return and, in any case, until actual return, with the consequence that any delay in returning the equipment shall be considered an extension of the rental period, without prejudice to compensation for any greater damage suffered.

Art. 7 - Unless otherwise agreed, the rental period is calculated in days, based on the arithmetic difference between the return date and the collection date. The equipment may be collected on the afternoon of the previous day, from 4:00 p.m.

The minimum rental period is one (1) day.

Art. 8 - In the event of missing, damaged, spoiled or improperly used equipment (including, by way of example only, blown lamps or laundry costs for fabrics), such items shall be charged to the Client at market price.

Partial returns of components belonging to the same piece of equipment are not accepted.

Rental days shall be calculated until the full and complete return of all rented equipment and instruments.

Art. 9 - The Contractor acknowledges that the equipment and instruments rented from Rec Distrikt SRL are not insured against theft or damage of any kind.

Therefore, the Contractor shall be directly and fully responsible in the event of theft, fire or loss of the equipment, having assumed custody of the assets at the time of collection, including in cases of collection via courier and/or delegate.

In all cases, the Contractor must inform Rec Distrikt SRL of any damage and/or event concerning the rented equipment.

Art. 10 - Rec Distrikt SRL shall not be held liable for any damage suffered by the Contractor or third parties arising from or connected with the use of the rented equipment and instruments, including, without limitation, direct damages or loss of profits due to malfunction or failure of the equipment, whose condition was in any case compliant at the time of delivery.

Any objections regarding the condition of the equipment must be raised at the time of collection, failing which any claim shall be forfeited.

Art. 11 - Any dispute relating to the interpretation and/or execution of this contract shall be subject to the exclusive jurisdiction of the Court of Milan, to the exclusion of any other court.

CINETECH ALBATROSS II

ITEM DESCRIPTION



IN THE BOX

- 1x Push bar
- 2x Side Board
- 1x Frontal Board
- 1x Seat
- 1x Seat Arm
- 1x AC Power Cable

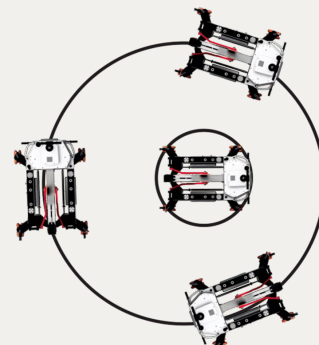
EXTRA:

- 1x Low position Leveling Head
- 1x 90° Dove's Tail - Euro Mount
- 1x Short Camera Extension
- 1x Long Camera Extension
- 1x Perch (MAX 300kg)
- 1x 4 Way Leveling Head
- 1x Camera Riser 6" / 12"

PRICE € 399

NOTES

Weight	150Kg
Length	110cm
Width (at smallest point)	110cm
Width (at largest point)	88cm
Height (at lowest point)	35cm
Height (at tallest point)	115cm
Extension arm	115cm
Payload	60Kg
Pressure	180 Bar
Alzate per carica	10
AC Current	220V/110V/28V



GFM QUAD DOLLY

ITEM DESCRIPTION



IN THE BOX

1x Push Bar
1x Steering Arm
4x Wheels
1x Seat
1x Seat Arm

EXTRA:

1x Skate Wheels (With Leveling Legs)
1x Set Bazooka (Euro Mount) GFM
1x Camera Riser (Euro Mount) GFM
1x Bowl 100 / 150

PRICE € 179

ITEM DESCRIPTION

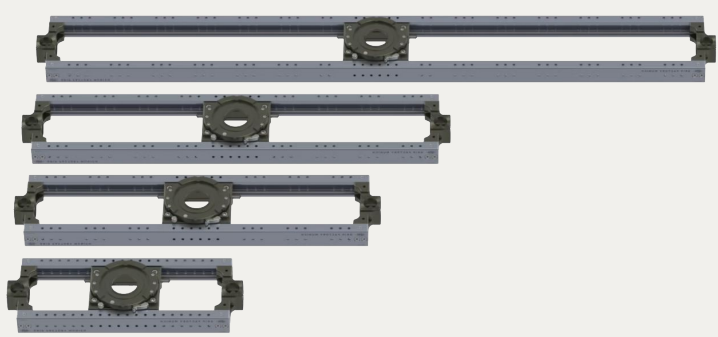


IN THE BOX

1x Straight track 50 / 90 / 1,6m	€ 15
1x Curved track 45°	€ 20
1x Starter	€ 5
1x Stopper	€ 5

GFM SLIDER

ITEM DESCRIPTION



IN THE BOX

- 2x 60 / 100 / 120 / 200 Cm Precision Rails
- 1x Standard Adapter / Pan Bearing Adapter
- 1x Tracking Carriage
- 2x End Mount
- 2x Light Stand Adapter (28mm)
- 1x Mitchell / Bowl (100 / 150) attachment

EXTRA:

- 2x Baby Combo Stand
- 1x Set Bazooka (Euro Mount) GFM
- 1x Three-legged base for bazooka
- 1x Euro Adapter Mount (Pan Bearing)
- 2x Leveling Leg

PRICE From € 179

ACCESSORIES



2

MOVIETECH SCOOTER DOLLY

ITEM DESCRIPTION



IN THE BOX

- 1x Scooter Dolly
- 2x 90 / 150 Rails
- 1x Bowl 100 / 150
- 2x Support Leg
- 2x Connector to Base Plate
- 2x Rails Extension Support
- 2x Light Stand Adapters (28mm)
- 2x Magnetic Track End Stops

EXTRA:

- 2x Baby Combo Stand
- 2x Extra Rails
- 1x Fluid Head

PRICE € 99

NOTES

Minimum length	90Cm
Maximum length	300Cm
Max Payload	20Kg
Weight	4,5Kg

ZEAPON MICRO 3 M700

ITEM DESCRIPTION



IN THE BOX

1x Slider
2x Tripod Clamp Support

EXTRA:

1x Tripod

PRICE € 79

NOTES

Length	70Cm
Mount	¼ / ⅜ Screw
Max Payload	4 / 12 Kg
Weight	1Kg

GFM GF - TELE JIB

ITEM DESCRIPTION



IN THE BOX

1x Cart for transportation
1x Euro Mount M / M
1x Low Mode
2x Bar for weights
8x Weights

EXTRA:

1x Skate Wheels (With Leveling Legs)
1x Set Bazooka (Euro Mount) GFM
1x Camera Riser (Euro Mount) GFM
1x Bowl 100 / 150

PRICE € 179

NOTES

Lunghezza Minima Anteriore	103Cm
Larghezza Massima Anteriore	156Cm
Payload Massimo (Retracted)	45Kg
Payload Massimo (Extended)	45Kg
Lunghezza Minima Posteriore	37Cm
Larghezza Massima Posteriore	54Cm
Range (Retracted)	143Cm
Range (Extended)	230Cm
Max Counterweight	96Kg
Angolo di Tilt	56°
Peso Tele Jib	25Kg

MOVIEGRIP MODULAR CRANE

ITEM DESCRIPTION



IN THE BOX

4x Extension Arm Modulare 60cm
 1x Extension Arm Modulare 30cm
 1x Central Arm
 1x Modulo Top con Euro Mount
 1x Modulo Final
 4x Cavi di Tensione
 8x Barra per Cavi e Pesì

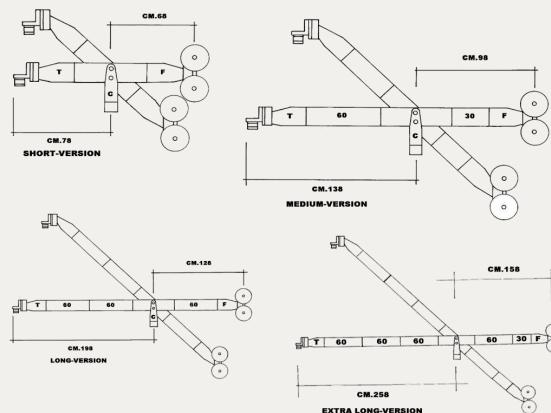
EXTRA:

1x Stella Bazooka
 1x Euro Risers Full Set
 1x Camera Riser (Coppa) Bowl 100 / 150
 1x Mitchell Mount
 1x Fluid Head

PRICE € 179

NOTES

Lunghezza Minima Anteriore	78Cm
Larghezza Massima Anteriore	258Cm
Lunghezza Minima Posteriore	68Cm
Larghezza Massima Posteriore	158Cm
Range Minimo	146Cm
Range Massimo	416Cm
Max Payload	40Kg
Peso Configurazione Completa	68Kg



MOVIEGRIP

ITEM DESCRIPTION

CRAZY ROUND



IN THE BOX

- 1x Rotatory Base
- 1x Seat
- 2x Aluminium Tube 2m
- 2x Euro Mount Ends
- 3x Counterweight

EXTRA:

- 1x Camera Riser (Euro Mount) Movie Grip
- 1x Set Bazooka (Euro Mount) GFM
- 1x Fluid Head

PRICE € 129

ITEM DESCRIPTION

CAR MOUNT SEDIOLA / VIOLINO



IN THE BOX

- x1 Lateral rising
- x1 Car Rising
- x2 Leg
- x1 Aluminium Extension 60cm
- x1 Aluminium Extension 30cm
- x2 90° Connectors

PRICE € 99

GRIP SUPPORT

2

ITEM DESCRIPTION



GFM EURO RISER (FULL SET)

1x 10 cm / 4"
1x 20 cm / 8"
1x 30 cm / 12"
1x 40 cm / 16"
1x 50 cm / 20"

GFM ADJUSTABLE RISER (CRANKED)

1x 50 - 115 cm / 20" - 45"



CARTONI EURO RISER (FULL SET)

1x 10 cm / 4"
1x 20 cm / 8"
1x 30 cm / 12"
1x 40 cm / 16"
1x 50 cm / 20"

CARTONI BAZOOKA RISER (CRANKED)

1x 33 - 49 cm / 13" - 20"



GFM OFFSETS

1x 18 cm / 7"
1x 25 cm / 10"
1x 35 cm / 14"
1x 50 cm / 20"

GFM BALL ADAPTER

1x 17 cm / 7"

EXTRA:

75 / 100 / 150 Bowls
Mitchell Plate

GRIP SUPPORT

ITEM DESCRIPTION



IN THE BOX

CARTONI MITCHELL 3 WAY LEVELLER

3-way Leveller for Flat Base Fluid Heads on Euro Mount

O'CONNOR HI HAT

1x 100mm Bowl Hi-Hat
1x 150mm Bowl Hi-Hat

BAZOOKA SPREADER

1x Movietech Euro Mount Spreader
(Available with Wheels)
1x MovieGrip Euro Mount Spreader
1x Vintage Euro Mount Spreader

GFM - BOWL 150 EURO ADAPTER

TILTA HERMIT POV HELMET

ITEM DESCRIPTION



IN THE BOX

- 1x Base Helmet
- 1x Rosette Side Mounting Plate
- 1x Dual Rosette Mounting Plate
- 1x Dual Rosette Adjustable Mounting Plate
- 1x Quick Release Plate
- 1x V-Mount Battery Plate
- 1x 15mm Rod Adapter for Rosette Plate
- 2x Side Rosette Mounting Arm
- 2x Rosette Extender Arm
- 2x 250g Counterweight
- 2x 500g Counterweight
- 1x 1 Kg Counterweight
- 5x Aluminium 15mm Rod (100 / 200 mm)
- 1x Hex Key
- 1x Flat Screwdriver

PRICE € 99

ACCESSORIES



TILTA HYDRA ALIEN

ITEM DESCRIPTION

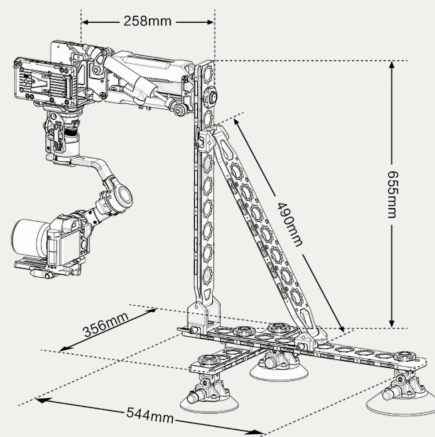
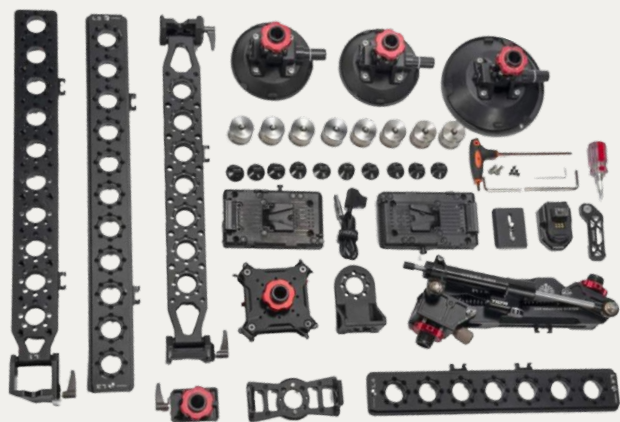


IN THE BOX

4x Dovetail Plate (L1 / L2 / L3 / L4)
 1x Dovetail Connector Plate
 1x Large Suction Cup
 2x Small Suction Cup
 1x Shock Absorbing Arm with Hydraulic Damping Pole
 1x 90 Degree Adapter for Shock Absorbing Head
 1x Shock Absorbing Head
 1x Power Supply Base Plate for DJI Ronin
 1x Quick Release Plate
 2x DTap to Lemo 2 Pin Cable
 1x Dual Battery Plate Support Bracket with V Mounts
 8x 220g Counterweight
 10x Cable Clamp Suction Cup
 1x Tool Kit
 1x Secure

PRICE € 79

ACCESSORIES



TILTA ELECTRONIC SUCTION CAR MOUNTING SYSTEM

ITEM DESCRIPTION



IN THE BOX

- 3x Electronic Suction Cup
- 3x Nato Magic Arm
- 1x Bowl Head 75 / 100
- 1x Quick Release Plate

PRICE € 99

ACCESSORIES

EXTRA



SPEED PAN SYSTEM

€ 59



PROAIM CINEBIRD

ITEM DESCRIPTION



IN THE BOX

1x Cine Bird Rickshaw
1x Extension Arm
1x Bicycle Clamp

PRICE € 199

SNORRICAM

ITEM DESCRIPTION



IN THE BOX

1x Frontside Plate w/ Camera Mounting Pole
1x Backside Plate
1x Pole Extension
1x Camera Head Support
1x Tilta Corset
1x Cardellino Clamp
4x D500 20"/50 cm Grip Extension Arm
4x D200 Grip Head
5x Counterweight

PRICE € 159

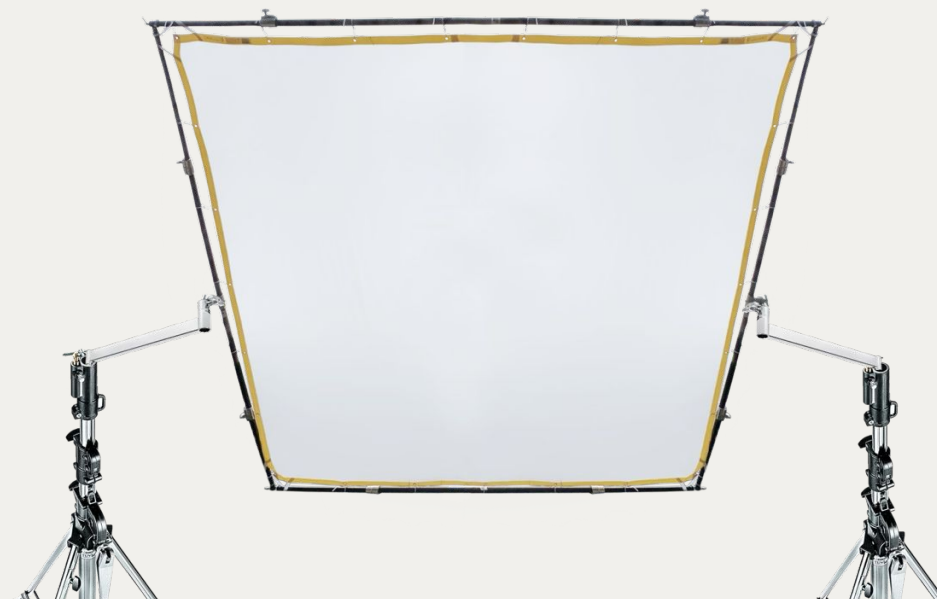
ROTATING PLATFORMS

2

ITEM DESCRIPTION	SIZE	LOAD
	Ø 30 cm (With expansion Ø 50 cm)	100 Kg
	Ø 60 cm	150 Kg
	Ø 120 cm	600 Kg

BUTTERFLY

ITEM DESCRIPTION



SIZE	NAME	PRICE
6"x6" / 2x2 m	Modular Butterfly Frame	€ 39
12"x12" / 4x4 m	Modular Butterfly Frame	€ 49
20"x20" / 6x6 m	Modular Butterfly Frame	€ 89
6" / 2 m	Butterfly Male / T-Bone (Cristo)	€ 39
12" / 4 m	Butterfly Male / T-Bone (Cristo)	€ 39
20" / 6 m	Butterfly Male / T-Bone (Cristo)	€ 39

STANDS

CENTURY STANDS



CODE	NAME	MIN HEIGHT	MAX HEIGHT
A2014	Century Stand Riser Column Nano	69 cm / 27" to	140 cm / 55"
A2020	Century Stand Riser Column Baby	94 cm / 37" to	205 cm / 81"
A2025	Century Stand Riser Column Baby	110 cm / 43" to	54 cm / 100"
A2029	Century Stand Riser Column Normal	117 cm / 46" to	285 cm / 112"
A2009	Detachable Turtle Base		
D500	20" / 50 cm Grip Extension Arm		
D520	40" / 100 cm Grip Extension Arm		

COMPASS STANDS



CODE	NAME	MIN HEIGHT	MAX HEIGHT
A0030CS	Steel Baby Stand 30 (Max 9Kg) (ALSO ON WHEELS)	115 cm / 45" to	304 cm / 120"
A0045CS	Steel Baby Stand 45 (Max 25Kg)	155 cm / 61" to	450 cm / 177"
A0010CS	Mighty Baby Stand (Max 15Kg)	50 cm / 20" to	101 cm / 40"
155M	High Baby Stand (Max 25Kg)	140 cm / 55" to	420 cm / 165"
185M	Low Mighty Baby (Max 15Kg)	90 cm / 35" to	205 cm / 80"
007BU	Aluminum Stand Bk (Max 12Kg)	123 cm / 48" to	315 cm / 124"

COMBO STANDS



CODE	NAME	MIN HEIGHT	MAX HEIGHT
542M	Master Cine Stand-Silver 2 Rises	140 cm / 55" to	350 cm / 138"
543M	Master Cine Stand-Silver 3 Rises (ALSO ON WHEELS)	149 cm / 59" to	445 cm / 175"
A1035CS	Steel Combo Stand 35 2 Rises (ON WHEELS)	167 cm / 66" to	350 cm / 138"
A5042CS	High Junior Roller (ON WHEELS)	165 cm / 65" to	420 cm / 165"

HEAVY DUTY



WIND UP STANDS

CODE	NAME	MIN HEIGHT	MAX HEIGHT
087NW	Steel Wind Up Stand	140 cm / 55" to	350 cm / 138"
387XU	Steel Super Wind Up Stand	156 cm / 61" to	366 cm / 144"
B6029X	Steel Super Wind Up Stand Low	140 cm / 55" to	290 cm / 114"



JUMBO STANDS

CODE	NAME	MIN HEIGHT	MAX HEIGHT
756M	Jumbo Stand	193 cm / 76" to	610 cm / 240"
B7018	Strato Safe Stand 18	104 cm / 41" to	175 cm / 69"

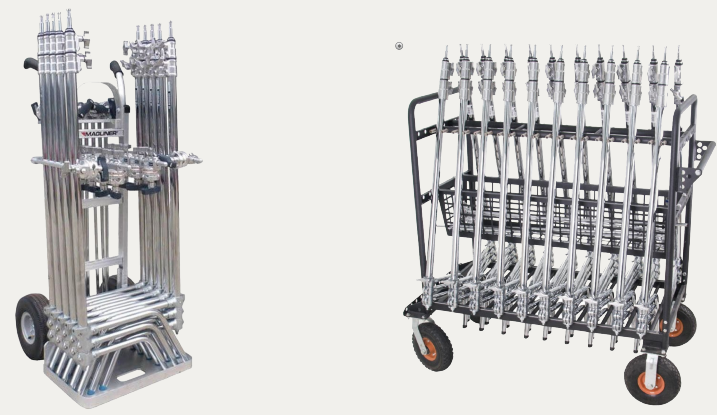


LONG JOHN STANDS

CODE	NAME	MIN HEIGHT	MAX HEIGHT
B7057FF	Long John Stand	177 cm / 70" to	569 cm / 224"

GRIP SUPPORT

STAND CARTS



WEIGHTS AND RISERS



SAND BAGS 8 / 15 Kg

PANCAKES

APPLE BOXES

SET OF CUBES

GRIP SUPPORT



EXTENSION ARMS

CODE	NAME	MIN REACH	PAYLOAD	MAX REACH	PAYLOAD	WEIGHT
425B	KUPO Mega Boom	2 m	30 Kg	3,6 m	6 Kg	15 Kg
D650	AVENGER Maxi Boom	1,6 m	40 Kg	3 m	10 Kg	7 Kg
D600	AVENGER Mini Boom	1,1 m	15 Kg	2,1 m	7 Kg	3,7 Kg



AUTOPOLES

CODE	NAME	MIN REACH	MAX REACH
032B	AVENGER Auto Pole	100 Cm	170 Cm
032B	AVENGER Auto Pole	150 Cm	270 Cm
032B	AVENGER Auto Pole	210 Cm	370 Cm

TRUSSES

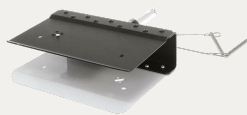


CODE	NAME	LENGTH	WEIGHT
F24	GLOBAL TRUSS 0.5 50ø	0.5m / 1.64ft	0.45kg / 1lbs
F24	GLOBAL TRUSS 1 50ø	1m / 3.28ft	0.68kg / 1.5lbs
F24	GLOBAL TRUSS 2 50ø	2m / 6.56ft	1.14kg / 2.5lbs
S30 5021	GLOBAL TRUSS Spacer Male	30mm	

GRIP SUPPORT



F1504
FOAMCORE FORK



F1521
POLY HOLDER



MATTHEWS
QUACKER CLAMP



FRAME SUPPORT
WALTER / SEVERINO



ROPE



CARDELLINI
CLAMPS



C1525
SKY HOOK



C500
PELICAN GRIP



SPRINGS CLAMPS
KIT



C1575B
SUPER CLAMP



C4461
EYE COUPLER M



C4465
EYE COUPLER F



C345
BARREL CLAMP



C4482
TWIN COUPLER



C100
JUNIOR PIPE



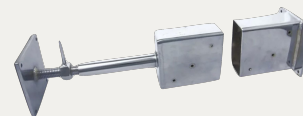
D400
JUMBO GRIP



D200
GRIP HEAD



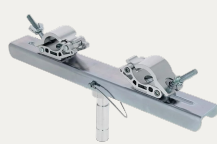
D200
CIPOLLA LST2B



KPC - 724
WALL SPREADER



F100
JUNIOR OFFSET



C4485
SWIVEL TRUSS SUPPORT



KCP - 835D
TRUSS SUPPORT



28MM TO EURO
JUNIOR PIN



MAGIC ARM



E200
ADAPTER 28M - 16M



28F - 16M
ADAPTER



28M - 16M
ADAPTER



16M - 16M
PIN



1/4 TO 3/8
MALE PIN

SMOKE MACHINE

2



Smoke Factory
Scotty II



Smoke Factory
SspaceBall II



ADJ
Entour Chill



Artem



LensGo